

TCP300 SERIES THERMAL CARD PRINTER/RE-WRITER

- Communicate valuable incentives to the customer
- Leuco and Thermo-Chromic Card Support
- Developer Friendly Applications Support
- 203 DPI Resolution supports Graphics and BarCode Printing
- Full ISO 3-Track Magnetic Stripe Read/Write Compatibility
- Serial, USB and Ethernet Interface Options
- Semi-Automatic Cleaning Prompts Proper Maintenance
- Ultra-Fast Write/Re-Write Speed
- Ideal for: Customer Loyalty, Membership Cards, Temporary IDs, Event Credentials, Appointment Cards, Vendor Promotions.



Part #	Description	List
TCP300D	Thermal Thin Card Reader/ Writer housed Unit with Serial interface	\$2,295
TCP300U	Thermal Thin Card Reader/ Writer housed Unit with USB interface	\$2,325
TCP300E	Thermal Thin Card Reader/ Writer housed Unit with Ethernet interface	\$2,395

TSP1000 SERIES High Capacity Direct Thermal Printer w/ Ticket Stacker

Support for up to a 7" diameter paper roll that is perfect for high-volume applications. The integrated ticket/document stacker aids in sorting multiple tickets/documents where batch printing is required.

- 180 mm per second print speed
- 2D Barcode Support
- Ticket/Document Stacker
- 203 dpi Print Resolution
- Cartridge-Type Interface
- 7-inch Paper Roll Capacity



Part #	Description	List
TSP1045U-24	Star Thermal Ticket Printer with 30 receipts stacker, cutter, USB Interface	\$825
TSP1045C-24	Star Thermal Ticket Printer with 30 receipts stacker, cutter, Parallel Interface	\$785
TSP1045D-24	Star Thermal Ticket Printer with 30 receipts stacker, cutter, Serial Interface	\$785
TSP1045E-24	Star Thermal Ticket Printer with 30 receipts stacker, cutter, Ethernet Interface	\$895
TSP1045U-24 GRY	Star Thermal Ticket Printer with 30 receipts stacker, cutter, USB Interface, Gray case	\$825
TSP1045C-24 GRY	Star Thermal Ticket Printer with 30 receipts stacker, cutter, Parallel Interface, Gray case	\$785
TSP1045D-24 GRY	Star Thermal Ticket Printer with 30 receipts stacker, cutter, Serial Interface, Gray case	\$785
TSP1045E-24 GRY	Star Thermal Ticket Printer with 30 receipts stacker, cutter, Ethernet Interface, Gray case	\$895

TSP600 SERIES

- Feature Rich, High Speed, Low Cost Thermal Receipt Printer
- 3-Year Warranty
- 33 LPS Print Speed
- Drop-in and Print Paper Loading
- 2 Color Ready
- 203 dpi Resolution
- External Power Supply (not included)
- Serial, Parallel, USB and Ethernet Interface Available
- Swapable Interface Cards
- Autocutter and Tear Bar Models Available
- 80mm (3.15") Default Paper Width; 76mm (3") and 58mm (2.25") Optional Paper Width
- 48 Columns (default)/71 Columns (maximum)
- Paper Out Sensor and Paper Near End Sensor
- Small Footprint (D-199mm, W-142mm, H-131mm)
- Star and ESC/POS Emulations
- Windows, Raster Graphics, OPOS, JavaPOS, MAC OSX and Linux Drivers Available
- Logo Store Utility for Coupons and Graphic Storage
- Cash Drawer Port (RJ11) w/Compulsion, Supports 2 Cash Drawers



	Part #	Description	List
PUTTY	TSP613C-24	Star Thermal Receipt Printer, Tearbar, Parallel Interface	\$395
	TSP613D-24	Star Thermal Receipt Printer, Tearbar, Serial Interface	\$395
	TSP613E-24	Star Thermal Receipt Printer, Tearbar, Ethernet Interface	\$580
	TSP613U-24	Star Thermal Receipt Printer, Tearbar, USB Interface	\$475
	TSP643C-24	Star Thermal Receipt Printer, Autocutter, Parallel Interface	\$425
	TSP643D-24	Star Thermal Receipt Printer, Autocutter, Serial Interface	\$425
	TSP643E-24	Star Thermal Receipt Printer, Autocutter, Ethernet Interface	\$610
	TSP643U-24	Star Thermal Receipt Printer, Autocutter, USB Interface	\$505
GRAY	TSP613C-24 GRY	Star Thermal Receipt Printer, Tearbar, Parallel Interface, Gray Case	\$395
	TSP613D-24 GRY	Star Thermal Receipt Printer, Tearbar, Serial Interface, Gray Case	\$395
	TSP613E-24 GRY	Star Thermal Receipt Printer, Tearbar, Ethernet Interface, Gray Case	\$580
	TSP613U-24 GRY	Star Thermal Receipt Printer, Tearbar, USB Interface, Gray Case	\$475
	TSP643C-24 GRY	Star Thermal Receipt Printer, Autocutter, Parallel Interface, Gray Case	\$425
	TSP643D-24 GRY	Star Thermal Receipt Printer, Autocutter, Serial Interface, Gray Case	\$425
	TSP643E-24 GRY	Star Thermal Receipt Printer, Autocutter, Ethernet Interface, Gray Case	\$610
	TSP643U-24 GRY	Star Thermal Receipt Printer, Autocutter, USB Interface, Gray Case	\$505

Accessories for TSP600

PS60L-24A	Power Supply for the TSP600	\$75
TRF-80	80mm wide x 82.5mm dia. thermal paper roll	\$7.50
TRF-80-BR	80mm wide x 82.5mm dia. 2 color (Black & Red) thermal paper roll	*
VS-T600	Vertical Stand for TSP600	\$110
WB-T600	Wall Mount Bracket Kit for TSP600	\$65
IFBD-HN04	9-pin Serial Interface Card	\$65
T6/T7 76 mm paper adapter	Adapter to allow use of 76mm wide paper	\$15
Roll Paper Guide TMP6	Divider that adjusts paper width to 58mm	\$10
Ticket Alarm	Buzzer that will sound everytime a receipt is printed	\$25

TSP700 SERIES

- ULTRA High Speed Thermal Receipt/ Label Printer
- "Auto Logo Printing" feature can add logos/coupons to receipts automatically!
- 3-Year Warranty
- 60 LPS Print Speed
- Drop-in and Print Paper Loading
- 2 Color Ready
- 203 dpi Resolution
- External Power Supply (not included)
- Serial, Parallel, USB and Ethernet Interface Available
- Wi-Fi Interface Now Available
- Swapable Interface Cards
- Autocutter Standard (Full and Partial Cut)
- Jam Proof Autocutter
- 80mm (3.15") Default Paper Width; adjustable to 82.5mm (3.25") or 58mm (2.25")
- 76mm (3") Paper Width is Optional
- 48 Columns (default)/71 Columns (maximum)
- Black Mark Sensor for Label and Ticket Printing
- Paper Out Sensor and Paper Near End Sensor
- Small Footprint (D-213mm, W-147mm, H-148mm)
- Star and ESC/POS Emulation
- Windows, Raster Graphics, OPOS, JavaPOS, MAC OSX and Linux Drivers Available
- Logo Store Utility for Coupons and Graphic Storage
- Cash Drawer Port (RJ11) w/Compulsion, Supports 2 Cash Drawers



	Part #	Description	List
PUTTY	TSP743C-24	Star Thermal Receipt/Label Printer, Parallel Interface	\$495
	TSP743D-24	Star Thermal Receipt/Label Printer, Serial Interface	\$495
	TSP743E-24	Star Thermal Receipt/Label Printer, Ethernet Interface	\$685
	TSP743U-24	Star Thermal Receipt/Label Printer, USB Interface	\$575
GRAY	TSP743C-24 GRY	Star Thermal Receipt/Label Printer, Parallel Interface, Gray Case	\$495
	TSP743D-24 GRY	Star Thermal Receipt/Label Printer, Serial Interface, Gray Case	\$495
	TSP743E-24 GRY	Star Thermal Receipt/Label Printer, Ethernet Interface, Gray Case	\$685
	TSP743U-24 GRY	Star Thermal Receipt/Label Printer, USB Interface, Gray Case	\$575

Accessories for TSP700

PS60L-24A	Power Supply for the TSP700	\$75
TRF-80	80mm wide x 82.5mm dia. thermal paper roll	\$7.50
TRF-80-BR	80mm wide x 82.5mm dia. 2 color (Black & Red) thermal paper roll	*
VS-T700	Vertical Stand for TSP700	\$110
WB-T700	Wall Mount Bracket Kit for TSP700	\$65
SPC-T700	Splash Proof Cover protects printer from spills and airborne debris	\$25
IFBD-HN03	9-pin Serial Interface Card	\$65
T6/T7 76 mm paper adapter	Adapter to allow use of 76mm wide paper	\$15
Ticket Alarm	Buzzer that will sound everytime a receipt is printed	\$25

TSP800 SERIES

- ULTRA High Speed, Thermal Receipt/Report/Label/Graphics Printer
- EXCLUSIVE Raster Reduction Feature Scales Down 8.5"x11" Documents to 112mm (4.4") Paper
- 3-Year Warranty
- 50 LPS Print Speed
- Drop in and Print Loading
- 2 Color Ready
- 203 dpi Resolution
- External Power Supply (not included)
- Serial, Parallel, USB and Ethernet Interface Available
- Swapable Interface Cards
- Autocutter Standard (Full and Partial Cut)
- Jam Proof Autocutter
- Wide Format 112mm (4.4") Default Paper Width
- 82.5mm (3.25"), 80mm (3.25"), 76mm (3") and 58mm (2.25") Paper Widths are Optional
- 69 Columns (default)/92 Columns (maximum)
- Black Mark Sensor Enables Label and Ticket Printing
- Paper Out Sensor and Paper Near End Sensor
- Small Foot print (D-217mm, W-180mm, H-148mm)
- Star Line Mode, Star Page Mode, ESC/POS Mode, Star DP8340 Mode Emulations
- Windows, Raster Graphics, OPOS, JavaPOS, MAC OSX and Linux Drivers Available
- Logo Store Utility for Coupons and Graphic Storage
- A.S.B. (Auto Status Back) monitors printer status
- Cash Drawer Port (RJ11) w/Compulsion, Supports 2 Cash Drawers
- Certified Prescription (Rx) Printer



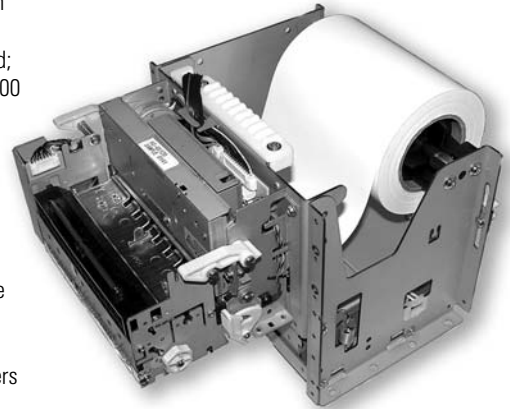
	Part #	Description	List
PUTTY	TSP847C-24	Star Thermal Receipt/Report/Label Printer, Parallel Interface	\$625
	TSP847D-24	Star Thermal Receipt/Report/Label Printer, Serial Interface	\$625
	TSP847E-24	Star Thermal Receipt/Report/Label Printer, Ethernet Interface	\$810
	TSP847U-24	Star Thermal Receipt/Report/Label Printer, USB Interface	\$705
GRAY	TSP847C-24 GRY	Star Thermal Receipt/Report/Label Printer, Parallel Interface, Gray Case	\$625
	TSP847D-24 GRY	Star Thermal Receipt/Report/Label Printer, Serial Interface, Gray Case	\$625
	TSP847E-24 GRY	Star Thermal Receipt/Report/Label Printer, Ethernet Interface, Gray Case	\$810
	TSP847U-24 GRY	Star Thermal Receipt/Report/Label Printer, USB Interface, Gray Case	\$705

Accessories for TSP800

PS60L-24A	Power Supply for the TSP800 Series	\$75
TRF-110	112mm wide x 82.5mm dia. thermal paper roll	\$10.50
TRF110-BR	112mm wide x 82.5mm dia. 2 color (Black & Red) thermal paper roll	\$15
IFBD-HN03	9-pin Serial Interface Card	\$65
VS-T800	Vertical Stand for TSP800	\$110
WB-T800	Wall Mount Bracket Kit for TSP800	\$65
Divider TSP800	Divider that adjusts paper width to 82.5mm, 80mm and 58mm	\$25
T6/T7 76 mm paper adapter	Adapter to allow use of 76mm wide paper	\$15
Ticket Alarm	Buzzer that will sound everytime a receipt is printed	\$25

TUP992

- Ultra High Speed, Open Frame, Thermal Kiosk Printer
- Modular Design for Easy Mounting/Integration
- EXCLUSIVE Raster Reduction Feature Scales Down 8.5"x11" Documents to 112mm (4.4") Paper
- 3-Year Warranty
- 50 LPS Print Speed
- Semi-Automatic Paper Loading
- 2 Color Ready
- 203 dpi Resolution
- External Power Supply (not included)
- Serial, Parallel, USB and Ethernet interfaces available (not included with printer)
- Swapable Interface Cards
- Autocutter Standard (Full Cut)
- Looping Presenter w/Document Capture Virtually Eliminates Paper Jams
- Wide Format 112mm (4.4") Default Paper Width; adjusts down to 80mm (3.15")
- Handles 6" dia. Paper Rolls Standard; up to 10" dia. with Optional RHU-T900
- 69 Columns (default)/92 Columns (maximum)
- Paper Shaft Accomodates 1", 2" and 3" Paper Core Sizes
- Dimensions: D-249mm, W-192mm, H-179mm (without paper roll)
- Star Line Mode and Star Page Mode Emulations
- Windows, Raster Graphics, OPOS, JavaPOS, MAC OSX and Linux Drivers Available
- A.S.B. (Auto Status Back) Monitors Printer Status



Part #	Description	List
TUP992-24	Star Thermal Kiosk Printer w/Presenter, Full Cut Autocutter	\$750

Interface Options

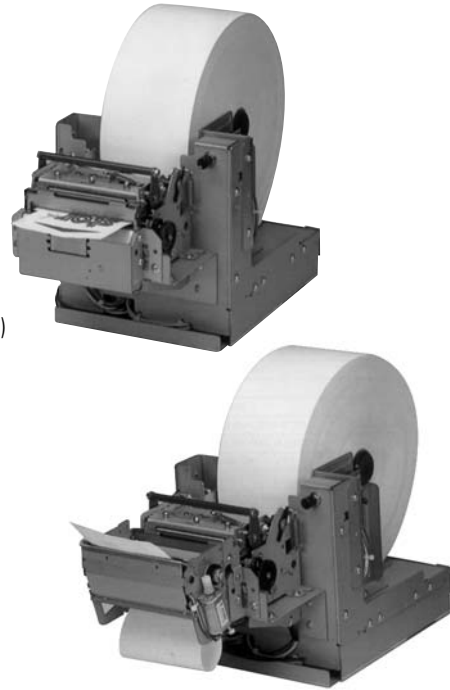
IFBD-HC04	Parallel Interface Card for TUP900 Series	\$60
IFBD-HD04	Serial Interface Card for TUP900 Series	\$60
IFBD-HN04	9-Pin Serial Interface Card for TUP900 Series	\$65
IFBD-HE04	Ethernet Interface Card for TUP900 Series	\$325
IFBD-HU04	USB Interface Card for TUP900 Series	\$135

Accessories for TUP900

PS60L-24A	Power Supply for the TUP900 Series	\$75
RHU-T900	Large Paper Roll Holder Unit-Handles Paper Rolls up to 10" diameter	\$85
TRF80-6	80mm wide x 6" dia. Paper Roll, 1" Core	\$16
TRF80-6MG	80mm wide x 6" dia. Paper Roll, 1" Core, Mid Grade (thicker paper)	\$20
TRF112-6	112mm wide x 6" dia. Paper Roll, 1" Core	*
TRF112-6MG	112mm wide x 6" dia. Paper Roll, 1" Core, Mid Grade (thicker paper)	*

TUP452/TUP492

- High Speed, Open Frame, Thermal Kiosk Printer
- 3-Year Warranty
- 25 LPS Print Speed
- Semi-Automatic Paper Loading
- 203 dpi Resolution
- External Power Supply (not included)
- Serial and Parallel Interfaces Available
- Swapable Interface Cards
- Autocutter Standard (Full Cut)
- 82.5mm (3.25") Paper Width
- Handles 8" Dia. Paper Roll
- 40 Columns (50 max) in Line Mode/80 Columns in Page Mode
- Available Looping Presenter w/Document Capture Feature (TUP492)
- 2 Levels of Low Paper, Paper Out and Black Mark Sensors
- Dimensions: D-299mm, W-173mm, H-175mm (without paper roll)
- Star Line Mode and Star Page Mode Emulations
- Windows, Raster Graphics, OPOS, JavaPOS, MAC OSX and Linux Drivers Available
- A.S.B. (Auto Status Back) Monitors Printer Status



Part #	Description	List
TUP452V2C-24NL	Star Thermal Kiosk Printer, Full Cut Autocutter, Parallel Interface	\$700
TUP452V2D-24NL	Star Thermal Kiosk Printer, Full Cut Autocutter, Serial Interface	\$700
TUP492ZC-24NL	Star Thermal Kiosk Printer w/Presenter, Full Cut Autocutter, Parallel Interface	\$775
TUP492ZD-24NL	Star Thermal Kiosk Printer w/Presenter, Full Cut Autocutter, Serial Interface	\$775

Accessories for TUP400

APS61ES	External Power Supply for the TUP452/492	\$99
IFTBD400K	RS422 25-Pin Serial Interface Card	\$54
TRF-82-8	82.5mm wide x 8" dia. thermal paper roll for TUP452/492	\$32

NP-325

3-Inch Thermal Kiosk Printer w/ Captive Paper Roll Holder

Paper Width	80 mm
Paper Roll Diameter (max)	83 mm
Print Width	72 mm
Resolution	203 dpi (8 dots/mm)
Print Speed	70 mm/sec
Interface	Serial, Parallel, USB
Barcodes	UPC-A, UPC-E, JAN13(EAN), JAN8(EAN), CODE39, ITF, CODABAR, CODE128, QR Code(2-)
Input Buffer	2K Bytes
Operating Voltage	24V DC +/- 5%
External Dimensions (W x D x H)	126 x 192.9 x 120.8
Weight	1.65 lbs
Head	50 km
Cutter	300K

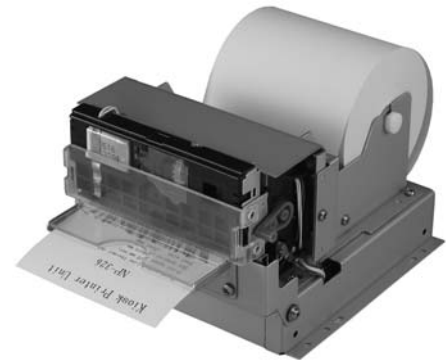


Part #	Description	List
37997060	NP-325P 80MM KIOSK PRINTER W/ PARALLEL I/F	\$246
37997070	NP-325R 80MM KIOSK PRINTER W/ SERIAL I/F	\$246
37997080	NP-325U 80MM KIOSK PRINTER W/ USB I/F	\$251

NP-326

3-Inch Ultra High Speed Thermal Kiosk Printer

Paper Width	80 mm
Paper Roll Diameter (max)	83 mm
Print Width	72 mm
Resolution	203 dpi (8 dots/mm)
Print Speed	220 mm/sec
Interface	Serial, Parallel, USB
Barcodes	UPC-A, UPC-E JAN13(EAN), JAN8(EAN) CODE39, ITF CODABAR, CODE128 Qrcode(2-D)
Input Buffer	10K Bytes
Operating Voltage	24V DC +/- 5%
External Dimensions (W x D x H)	125 x 186.4 x 103
Weight	2.21 lbs
Head	100 km
Cutter	500K



Part #	Description	List
37997090	NP-326P 80MM KIOSK PRINTER W/ PARALLEL I/F	\$270
37997100	NP-326R 80MM KIOSK PRINTER W/SERIAL I/F	\$270
37997110	NP-326U 80MM KIOSK PRINTER W/ USB I/F	\$275

NP-366

3-Inch Clamshell-Type Thermal Kiosk Printer

Paper Width	80 mm
Paper Roll Diameter (max)	80 mm
Print Width	72 mm
Resolution	203 dpi (8 dots/mm)
Print Speed	220 mm/sec
Interface	Serial, USB
Barcodes	UPC-A, UPC-E, JAN13(EAN), JAN8(EAN), CODE39, ITF, CODABAR, CODE128, QR code(2-D)
Input Buffer	10K Bytes
Operating Voltage	24V DC +/- 5%
External Dimensions (W x D x H)	127.2 x 106.7 x 161.3 mm
Weight	2.78 lbs
Head	100 km
Cutter	500K



Part #	Description	List
37997120	NP-366R 80MM CLAM SHELL TYPE KIOSK PRINTER W/SERIAL W/80MM DIA	\$252
37997130	NP-366U 80MM CLAM SHELL TYPE KIOSK PRINTER W/USB W/80MM DIA	\$257
37997150	NP-366P LARGE 80MM CLAM SHELL TYPE KIOSK PRINTER W/PARALLEL W/150MM DIA	\$372

NP-366 Slim

3-Inch Clamshell-Type Thermal Kiosk Printer Slim Version

Paper Width	80 mm
Paper Roll Diameter (max)	50 mm
Print Width	72 mm
Resolution	203 dpi (8 dots/mm)
Print Speed	220mm/sec
Interface	Serial, USB
Barcodes	UPC-A, UPC-E, EAN(JAN-13), EAN(JAN-13), EAN(JAN-8), CODE39, ITF, CODABAR, CODE128, QR code
Input Buffer	10K Bytes
Operating Voltage	24V DC +/- 5%
External Dimensions (W x D x H)	103.5 x 69.1 x 131.3 mm
Weight	2.78 lbs
Head	100 km
Cutter	500K



Part #	Description	List
37997140	NP-366R SLIM 80MM CLAM SHELL TYPE KIOSK PRINTER W/SERIAL, W/50MM DIA	\$242

NP-211

2 inch Thermal Kiosk Printer w/ Semi-Automatic Cutter

Paper Width	58 mm
Paper Roll Diameter (max)	70 mm
Print Width	54 mm
Resolution	203 dpi (8 dots/mm)
Print Speed	50 mm/sec
Interface	Serial, USB
Barcodes	UPC-A, UPC-E, EAN(JAN-13) CODE39, ITF, CODABAR, CODE128
Input Buffer	10K Bytes
Operating Voltage	8 - 13V DC +/- 5%
External Dimensions (W x D x H)	84 x 115 x 77.5 mm
Weight	1.43 lbs
Head	50 km
Cutter	N/A



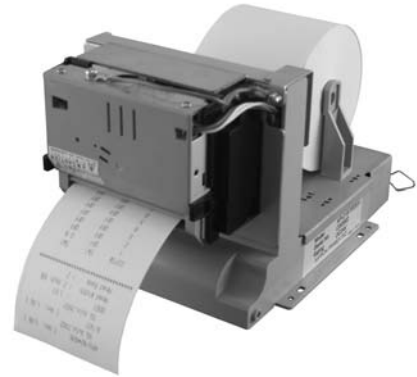
Part #	Description	List
37996920	NP-211U 58MM KIOSK PRINTER W/O AUTO CUTTER	\$136
37996930	NP-211R 58MM KIOSK PRINTER W/O AUTO CUTTER	\$136



NP-215

2-inch Thermal Kiosk Printer w/ Auto-Cutter and Optional Large Capacity Paper Roll Holder

Paper Width	60 mm
Paper Roll Diameter (max)	80 mm
Print Width	54 mm
Resolution	203 dpi (8 dots/mm)
Print Speed	85 mm/sec
Interface	Serial, Parallel, USB
Barcodes	UPC-A, UPC-E JAN13(EAN), JAN8(EAN) CODE39, ITF CODABAR, CODE128 Qrcode(2-D)
Input Buffer	10K Bytes
Operating Voltage	24V DC +/- 5%
External Dimensions (W x D x H)	118 x 181.4 x 111.3 mm
Weight	1.21 lbs
Head	50 km
Cutter	300K

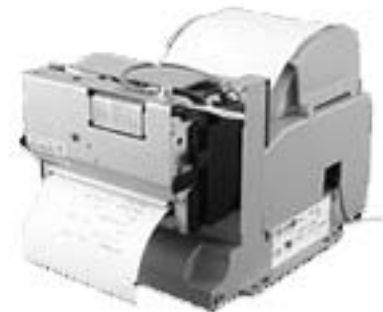


Part #	Description	List
37996940	NP-215P 60MM KIOSK PRINTER W/ PARALLEL I/F	\$231
37996950	NP-215R 60MM KIOSK PRINTER W/ SERIAL I/F	\$231
37996960	NP-215U 60MM KIOSK PRINTER W/ USB I/F	\$236

NP-225

2 Inch Thermal Kiosk Printer w/ Captive Paper Roll Holder

Paper Width	60 mm
Paper Roll Diameter (max)	80 mm
Print Width	54 mm
Resolution	203 dpi (8 dots/mm)
Print Speed	85 mm/sec
Interface	Serial, Parallel, USB
Barcodes	UPC-A UPC-E JAN13 JAN8 CODE128, 39 ITF CODABAR QR CODE
Input Buffer	10K Bytes
Operating Voltage	24V DC +/- 5%
External Dimensions (W x D x H)	126 x 192.9 x 120.8 mm
Weight	1.54 lbs
Head	50 km
Cutter	300K



Part #	Description	List
37996970	NP-225P 60MM KIOSK PRINTER W/ PARALLEL W/DROP IN PAPER HOLDER	\$245
37996980	NP-225R 60MM KIOSK PRINTER W/ SERIAL W/DROP IN PAPER HOLDER	\$245
37996990	NP-225U 60MM KIOSK PRINTER W/ USB W/DROP IN PAPER HOLDER	\$250

NP-266

2-inch Thermal Kiosk Printer w/ Auto-Cutter and Optional Large Capacity Paper Roll Holder

Paper Width	58 mm
Paper Roll Diameter (max)	80 mm
Print Width	54 mm
Resolution	203 dpi (8 dots/mm)
Print Speed	220 mm/sec
Interface	Serial, Parallel, USB
Barcodes	UPC-A, UPC-E JAN13(EAN), JAN8(EAN) CODE39, ITF CODABAR, CODE128 Qrcode(2-D)
Input Buffer	10K Bytes
Operating Voltage	24V DC +/- 5%
External Dimensions (W x D x H)	103.5 x 106.7 x 161.3 mm
Weight	2.32 lbs
Head	100 km
Cutter	500K



Part #	Description	List
37997030	NP-266R 58MM CLAM SHELL TYPE KIOSK PRINTER W/SERIAL W/80MM DIA	\$248
37997040	NP-266U 58MM CLAM SHELL TYPE KIOSK PRINTER W/USB W/ 80MM DIA	\$253

NP-266 Slim

2 Inch Clamshell-Type Thermal Kiosk Printer Slim Version

Paper Width	58 mm
Paper Roll Diameter (max)	50 mm
Print Width	54 mm
Resolution	203 dpi (8 dots/mm)
Print Speed	220 mm/sec
Interface	Serial, USB
Barcodes	UPC-A, UPC-E, EAN(JAN-13), EAN(JAN-13), EAN(JAN-8), CODE39, ITF, CODABAR, CODE128, QR code
Input Buffer	10K Bytes
Operating Voltage	24V DC +/- 5%
External Dimensions (W x D x H)	103.5 x 69.1 x 131.3 mm
Weight	2.32 lbs
Head	100 km
Cutter	500K



Part #	Description	List
37997050	NP-266R SLIM 58MM CLAM SHELL TYPE KIOSK PRINTER W/SERIAL W/50MM DIA	\$228

SP500 SERIES

- High Speed, Low Cost, High Reliability, Compact, Dot Matrix Receipt Printer
- Exceptional Value & Performance!
- 3-Year Warranty
- Over 4 LPS Print Speed w/Bi-directional Logic Seeking Mechanism
- 9-Pin Print Head, Graphics Capable
- Semi-automatic Paper Loading
- Single Color Highlight Feature (4 modes) Eliminates Need for 2 Color Printing
- Universal Internal Power Supply-100 to 240V AC 50/60HZ
- Serial and Parallel Interfaces Available
- Autocutter & Tear Bar Models
- Handles 3" and 2.25" Wide Paper Roll
- 42 Columns
- Original + 2 Copies (3 ply Paper)
- Rewinder/Journal Option Available
- Paper End Sensor Standard
- Optional Near End Sensor
- Black Mark Sensor for Ticket Printing
- ULTRA Small Footprint (D-225mm, W-140mm, H-163mm)
- Star and ESC/POS Emulations
- Windows, OPOS and JAVAPOS Drivers
- Splash Proof Cover w/Designed in Rain Channels
- Recessed Cable Connections w/Cover Creates a Clean, Organized Workstation
- Power Switch Cover Included
- Cash Drawer Port (RJ11) w/Compulsion, Supports 2 Cash Drawers



	Part #	Description	List
PUTTY	SP512MC42	Star Dot Matrix Receipt Printer, Parallel Interface	\$325
	SP512MC42-R	Star Dot Matrix Receipt Printer w/Rewinder/Journal, Parallel Interface	\$395
	SP512MD42	Star Dot Matrix Receipt Printer, Serial Interface	\$325
	SP512MD42-R	Star Dot Matrix Receipt Printer w/Rewinder/Journal, Serial Interface	\$395
	SP542MC42	Star Dot Matrix Receipt Printer w/Autocutter, Parallel Interface	\$400
	SP542MC42-R	Star Dot Matrix Receipt Printer w/Autocutter and Rewinder/Journal, Parallel Interface	\$475
	SP542MD42	Star Dot Matrix Receipt Printer w/Autocutter, Serial Interface	\$400
GRAY	SP542MD42-R	Star Dot Matrix Receipt Printer w/Autocutter and Rewinder/Journal, Serial Interface	\$475
	SP512MC42-GRY	Star Dot Matrix Receipt Printer, Parallel Interface, Gray Case	\$325
	SP512MC42-GRY-R	Star Dot Matrix Receipt Printer w/Rewinder/Journal, Parallel Interface, Gray Case	\$395
	SP512MD42-GRY	Star Dot Matrix Receipt Printer, Serial Interface, Gray Case	\$325
	SP512MD42-GRY-R	Star Dot Matrix Receipt Printer w/Rewinder/Journal, Serial Interface, Gray Case	\$395
	SP542MC42-GRY	Star Dot Matrix Receipt Printer w/Autocutter, Parallel Interface, Gray Case	\$400
	SP542MC42-GRY-R	Star Dot Matrix Receipt Printer w/Autocutter and Rewinder/Journal, Parallel Interface, Gray Case	\$475
	SP542MD42-GRY	Star Dot Matrix Receipt Printer w/Autocutter, Serial Interface, Gray Case	\$400
	SP542MD42-GRY-R	Star Dot Matrix Receipt Printer w/Autocutter and Rewinder/Journal, Serial Interface, Gray Case	\$475

Accessories for SP500 Series

RC200P	Purple Ribbon Cartridge-Normal Definition/3 Million Characters	\$6.75
RC200B	Black Ribbon Cartridge-High Definition/1.2 Million Characters	\$6.75
RC200BR	Black & Red Ribbon Cartridge-Black (.6 Million Characters)/Red (.3 Million Characters)	\$7.50
RF-3.0	3" Wide Paper	\$3.75
Ticket Alarm	Buzzer that will sound everytime a receipt is printed	\$25
VS-S500	Vertical Stand Kit-counter top stand for vertical positioning	\$45
WB-S500	Wall Mount Kit-Mounts SP500 on a wall for added counter space	\$55



SCP700 SERIES

- Low Cost Combination Thermal Receipt Printer/ Dot Matrix Slip Printer
- Optional Poll Display (SCD-202)
- 3-Year Warranty
- Small Footprint: D-270mm, W-182mm, H-194mm
- RS-232C Serial (D-sub 9-pin) Interface
- Optional RS-232C serial (D-sub 25-pin) and Parallel
- Flexible Dual Interface Option for Multiple System Configuration
- Star and ESC/POS Emulations
- Cash Drawer Port (RJ11) w/Compulsion, Supports 2 Cash Drawers
- Windows Drivers Available



Thermal Receipt Printer:

- 16.7 LPS Print Speed
- Semi-automatic Paper Loading
- 48 Columns (default)/64 Columns (maximum)
- 80mm (3.15") Default Paper Width; Adjustable to 76mm (3")
- Paper Out Sensor and Paper Near End Sensor
- Autocutter

Dot Matrix Slip Printer:

- 3.1 LPS Print Speed w/Bi-directional Printing
- 9-Pin Print Head, Graphics Capable
- 42 Columns
- Handles Paper 3.15" to 7.17" Wide
- Handles Paper 3.15" to 10.8" Long
- 2.5" (63mm) Printable Width
- Original + 2 Copies (3 ply Paper)
- Top of Form' and 'Bottom of Form' Sensor
- AutoSide Loading™ Feature

Part #	Description	List
SCP700A	Combination Printer-Thermal Receipt and Impact Slip Printer	\$675

Accessories for SCP700 Series

PS60L-24A	Power Supply for the SCP700	\$82
IFBD-C	Parallel Interface Adapter For SCP700-A	\$42
IFBD-D	Serial Interface Adapter For SCP700-A	\$50
SCD-202	Optional Customer Display	*
TRF-80	80mm wide x 82.5mm dia. thermal paper roll	\$7.50

